



**MCCORDSVILLE BOARD OF ZONING APPEALS
SPECIAL EXCEPTION APPLICATION**

Zoning Ordinance Section 10.04

Applicant Information

Name: Chris Williams

Current Address: 6188 W Broadway
(Number) (Street)

McCordsville Ind 46055
(City) (State) (Zip)

Phone No.: 317 473-9405 E-mail Address: CHRISW79164(A)YAHOO.COM

Property Owner Information (the "owner" does not include tenants or contract buyers)

Name: Chris Williams

Current Address: 618 W Broadway
(Number) (Street)

McCordsville Ind 46055
(City) (State) (Zip)

Phone No.: 317 473 9405 E-mail Address: CHRISW79164(A)YAHOO.COM

Property Information

Current Address: 6188 W Broadway
(Number) (Street)

OR General Location (if no address has been assigned, please provide a street corner, subdivision lot number, or attach a legal description)

Administrative Officer Use Only:

Existing Zoning: _____

Future Land Use: _____

Date Application Filed: _____

Docket No.: _____

Special Exception Requested

I am requesting a special exception as listed by Section _____ of the Zoning Ordinance to allow the following:

I WANT TO PUT A 18x21 CARPORT
ON MY PROPERTY SO I CAN PARK MY
VEHICLES IN

Special Exception Criteria

The McCordsville Zoning Ordinance establishes specific criteria that must be met in order for a special exception to be approved. Please answer each question below and if the response is "NO", describe why the special exception use requested does not meet the required criteria.

Will the special exception be served with adequate utilities, access roads, drainage, and other necessary facilities?

YES NO, Please Explain (attach additional pages as necessary): _____

Will the special exception provide safe conditions that do not involve any element or cause any condition that may be dangerous, injurious, or noxious to any other property or persons, and comply with the development standards of the McCordsville Zoning Ordinance?

YES NO, Please Explain (attach additional pages as necessary): _____

Will the special exception be sorted, oriented, and landscaped to produce a harmonious relationship of buildings and grounds to adjacent buildings and properties?

YES NO, Please Explain (attach additional pages as necessary): _____

Will the special exception produce a total visual impression and environment which is consistent with the environment of the neighborhood?

YES NO, Please Explain (attach additional pages as necessary): _____

Will the special exception organize vehicular access and parking to minimize traffic congestion in the area?

YES

NO, Please Explain (attach additional pages as necessary): _____

Applicant's Signature

The information included in and with this application is completely true and correct to the best of my knowledge and belief.

Ch A Williams
(Applicant's Signature)

10-8-20
(Date)

Owner's Signature (the "owner" does not include tenants or contract buyers)

I authorize the filing of this application and will allow Town staff to enter this property for the purpose of processing this request. Further, I will allow a public notice sign to be placed and remain on the property until the processing of the request is complete.

Ch A Williams
(Owner's Signature)

10-8-20
(Date)

Debban S. Williams
(Owner's Signature)

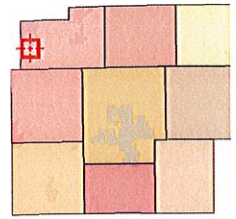
10-8-2020
(Date)



AREA FOR CAPPORT



Overview



Legend

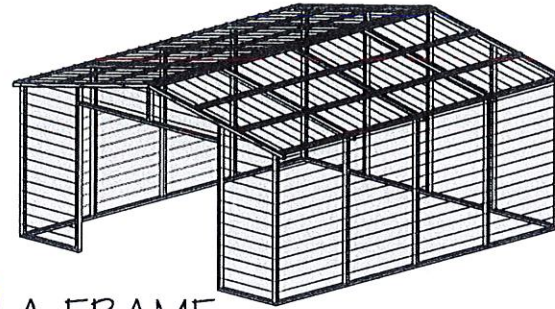
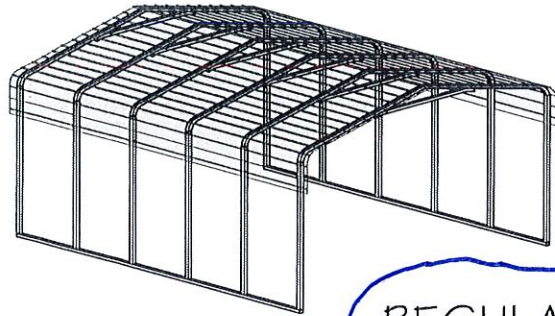
Roads

- <all other values>
- , PRIVATE
- , PRIVATE
- I, PUBLIC
- S, PUBLIC
- U, PUBLIC
- Subdivisions
- Rights of Way
- Parcel Search

Parcel ID	30-01-26-101-004.002-018	Alternate ID	30-01-26-101-004.002-018	Owner Address	Williams, Chris A & Debbara S
Sec/Twp/Rng	n/a	Class	1 Family Dwell - Platted Lot		6188 W Broadway
Property Address	6188 W Broadway McCordsville	Acreage	0.599		McCordsville, IN 46055
District	MCCORDSVILLE TOWN				
Brief Tax Description	BRAD MC CORD WDL70				
	(Note: Not to be used on legal documents)				

Date created: 10/6/2020
Last Data Uploaded: 10/6/2020 5:37:07 AM

Developed by Schneider GEOSPATIAL



REGULAR / A-FRAME
18'-0" WIDE
CARPORT STYLE BUILDINGS

DESIGN NOTES

1. ALL CONSTRUCTION SHALL BE PROVIDED IN ACCORDANCE WITH IBC 2012, OSHA, AISC 360, AISI 100, ASCE 7-10, AWS D 1.3 CODES AND ALL APPLICABLE LOCAL REQUIREMENTS.
2. BASE CONNECTIONS SHALL BE PROVIDED AS SHOWN ON FOUNDATION DETAILS SHEET.
3. ALL MATERIALS IDENTIFIED BY MANUFACTURER NAME MAY BE SUBSTITUTED WITH MATERIAL EQUAL OR EXCEEDING ORIGINAL.
4. ALL SHOP CONNECTIONS SHALL BE WELDED CONNECTIONS.
5. ALL FIELD CONNECTIONS SHALL BE #12x1" SDS (ESR-2196 OR EQ).
6. STEEL SHEATHING SHALL BE 29GA. CORRUGATED GALV. OR PAINTED STEEL - MAIN RIB HT. 3/4" (FY=80KSI) OR EQ.
7. ALL STRUCTURAL LIGHT GAUGE TUBING AND CHANNELS SHALL BE GRADE 50 STEEL.
8. STRUCTURAL TUBE TS2 1/2"x2 1/2" - 14GA. IS EQUIVALENT TO TS2 1/4"x2 1/4" - 12GA AND EITHER ONE MAY BE USED IN LIEU OF THE OTHER.
9. ALL DESIGN CRITERIA MUST BE INCREASED TO THE NEXT HIGHER INCREMENT BASED ON THE TABLES ON PAGE 4. NO INTERPOLATION IS ALLOWED.

DESIGN CRITERIA

PREVAILING CODE:	INBC 2014 (IBC 2012)
USE GROUP:	U (CARPORTS, BARNS)
RISK CATEGORY:	I
1. DEAD LOAD (D)	D = 4 PSF
2. ROOF LIVE/SNOW LOAD (Lr)	Lr = 20 - 61 PSF (AS PER SNOW LOAD SEE TABLE 4)
3. SNOW LOAD (S)	
GROUND SNOW LOAD	P _g = 20 - 90 PSF
IMPORTANCE FACTOR	I _s = 0.8
THERMAL FACTOR	C _t = 1.2
EXPOSURE FACTOR	C _e = 1.0
ROOF SLOPE FACTOR	C _s = 1.0
4. WIND LOAD (W)	
BASIC WIND SPEED	V _{ULT} = 105 - 180 MPH
EXPOSURE	C
5. SEISMIC LOAD (E)	
DESIGN CATEGORY	D
IMPORTANCE FACTOR	I _e = 1.00

LOAD COMBINATIONS:

1. D + (Lr OR S)
2. D + (0.6W OR ±0.7E)
3. D + 0.75 (0.6W OR ±0.7E) + 0.75 (Lr OR S)
4. 0.6D + (0.6W OR ±0.7E)

DRAWING INDEX

COVER SHEET	----	1
SCHEDULES & MEMBER - SECTIONS	----	2
FRAME SECTIONS & DETAILS	----	3
SPACING SCHEDULES - & ENCLOSURE NOTES	----	4
PURLIN & GIRT SCHEDULES	----	5
SHEATHING OPTIONS	----	6
SIDE WALL FRAMING & OPENINGS	----	7
END WALL FRAMING & OPENINGS	----	8-A, 8-B
CORNER BRACING DETAILS	----	9
OPTIONAL LEAN-TO ADDITION	----	10
FOUNDATION OPTIONS	----	11-A TO 11-D

MANUFACTURED BY:



457 N. Broadway,
Joshua, TX 76058
1-866-730-9865

ENGINEERED BY:



A&A ENGINEERING
CIVIL • STRUCTURAL

6036 Renaissance Place, Toledo, OH 43623
Tel. 419-292-1983 • Fax. 419-292-0955
www.aa-engineers.com

DRAWING INFORMATION

PROJECT: 18'-0" WIDE BUILDINGS

LOCATION: STATE OF INDIANA

PROJECT NO.: 033-20-0011

SHEET TITLE:

COVER SHEET

SHEET NO.: 1 / 11

DRAWN BY: A.W. DATE: 2/29/20

CHECKED BY: OAA DATE: 2/29/20

LEGAL INFORMATION

- ANY DUPLICATION OF THIS DRAWING IN WHOLE OR PART IS STRICTLY FORBIDDEN. ANYONE DOING SO WILL BE PROSECUTED UNDER THE FULL EXTENT OF THE LAW.
- DRAWINGS VALID UP TO DATE OF EXPIRATION.

SEAL:



CUSTOMER INFORMATION

OWNER:
ADDRESS:

DESIGN LOADS

GROUND SNOW:
ROOF LIVE LOAD:
BASIC WIND SPEED:

BUILDING INFORMATION

WIDTH:
LENGTH:
HEIGHT:

FRAME TYPE: A-FRAME
 REGULAR
ENCLOSURE TYPE: FULL
 PARTIAL
 OPEN

CERTIFICATION VALIDITY NOTICE

DATE OF PLANS EXPIRATION: **FEB 12 2021**
CERTIFICATION ON THESE DRAWINGS IS VALID FOR ONE YEAR FROM DATE OF ISSUE

STAMP EXPIRY: **07/31/2022**
DATE SIGNED: **FEB 12 2020**

TABLE 2.1: MEMBER PROPERTIES

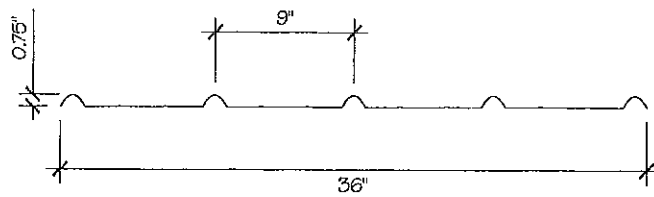
NO.	LABEL	PROPERTY	DETAIL NO.
1	COLUMN POST	2.5" X 2.5" X 14GA TUBE	1
2	ROOF BEAM	2.5" X 2.5" X 14GA TUBE	1
3	BASE RAIL	2.5" X 2.5" X 14GA TUBE	1
4	PEAK BRACE	2.5" X 2.5" 14GA CHANNEL	4
5	KNEE BRACES	2.5" X 1.5" 14GA CHANNEL	4
6	CONNECTOR SLEEVE	2.25" X 2.25" X 12GA TUBE	2
7	BASE ANGLE	2" X 2" X 3" LG. 3/16" ANGLE	10
8	PURLIN	4.25" X 1.5" X 14GA / 18GA HAT CHANNEL	5
9	GIRT	4.25" X 1.5" X 14GA / 18GA HAT CHANNEL	5
9A	OPT. END WALL GIRT	2.5" X 1.5" 14GA CHANNEL	1
10	SHEATHING	29 GA CORRUGATED SHEET	8
11	END WALL POST	2.5" X 2.5" X 14GA TUBE	1
12	DOOR POST	2.5" X 2.5" X 14GA TUBE	1
13	SINGLE HEADER	2.5" X 2.5" X 14GA TUBE	1
14	DOUBLE HEADER	DBL. 2.5" X 2.5" X 14GA TUBE	1
15	SERVICE DOOR / WINDOW FRAMING	2.5" X 2.5" X 14GA TUBE	1
16	ANGLE BRACKET	2" X 2" X 2" LG. 14GA ANGLE	7
17	STRAIGHT BRACKET	2" X 2" X 4" LG. 14GA PLATE	6
18	PB SUPPORT	2.5" X 2.5" X 14GA TUBE	1
19	DIAGONAL BRACE	2" X 2" X 14 GA TUBE	3
20	GABLE BRACE	2" X 2" X 14 GA TUBE	3
21	DB BRACKET	2.25" X 2.25" X 6" LG. 14GA ANGLE	9
22	TRUSS SPACER	2.5" X 2.5" X 14GA TUBE	1
23	ALL FASTENERS	#12 X 1" SELF-DRILL SCREWS (ESR-2196 OR EQ) W/ NEOPRENE/STEEL WASHER	

TABLE 2.2: SHEATHING FASTENER SCHEDULE

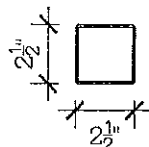
LOCATION	CORNER PANELS	SIDE LAPS	EDGE LAPS	ELSEWHERE
SPACING	9" C/C	MIN. 1	4 1/2" C/C	9" C/C

FASTENER TYPE: #12X1" SELF-DRILL SCREWS (ESR-2196 OR EQ) W/ NEOPRENE/STEEL WASHER

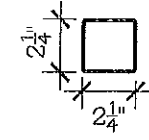
*SEE TYP. SHEATHING FASTENER SCHEDULE DIAGRAM ON PAGE 6.



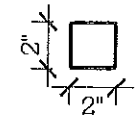
29 GA CORRUGATED SHEATHING (8)
SCALE: NTS



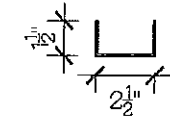
THICKNESS = 14GA
2.5" X 2.5" 14GA TUBE (1)
SCALE: NTS



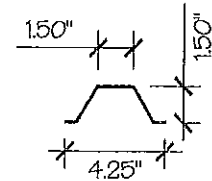
THICKNESS = 12GA
2.25" X 2.25" 12GA TUBE (2)
SCALE: NTS



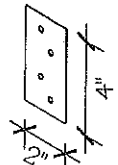
THICKNESS = 14GA
2" X 2" 14GA TUBE (3)
SCALE: NTS



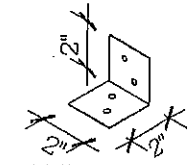
THICKNESS = 14GA
2.5" X 1.5" 14GA CHANNEL (4)
SCALE: NTS



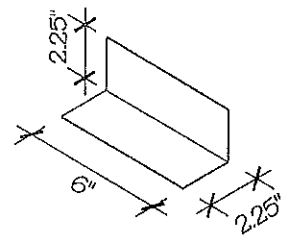
THICKNESS = 14GA / 18GA
4.25" X 1.5" X 14GA / 18GA HAT CHANNEL (5)
SCALE: NTS



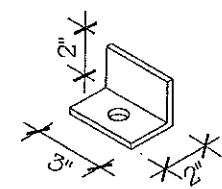
THICKNESS = 14GA
STRAIGHT BRACKET (6)
SCALE: NTS



THICKNESS = 14GA
ANGLE BRACKET (7)
SCALE: NTS



THICKNESS = 14GA
DB BRACKET (9)
SCALE: NTS



THICKNESS = 3/16"
BASE ANGLE (10)
SCALE: NTS

MANUFACTURED BY:



457 N. Broadway,
Joshua, TX 76058
1-866-730-9865

ENGINEERED BY:



A&A ENGINEERING
CIVIL STRUCTURAL
6086 Renaissance Place, Toledo, OH 43623
Tel. 419-292-1988 • Fax. 419-292-0955
www.a-a-engineers.com

DRAWING INFORMATION

PROJECT: 18'-0" WIDE BUILDINGS

LOCATION: STATE OF INDIANA

PROJECT NO.: 033-20-0011

SHEET TITLE:

SCHEDULES & MEMBER SECTIONS

SHEET NO.: 2 / 11

DRAWN BY: A.W. DATE: 2/29/20

CHECKED BY: OAA DATE: 2/29/20

LEGAL INFORMATION

- ANY DUPLICATION OF THIS DRAWING IN WHOLE OR PART IS STRICTLY FORBIDDEN. ANYONE DOING SO WILL BE PROSECUTED UNDER THE FULL EXTENT OF THE LAW.
- DRAWINGS VALID UP TO DATE OF EXPIRATION.

SEAL:



STAMP EXPIRY: 07/31/2022

DATE SIGNED: FEB 12 2020

MANUFACTURED BY:



457 N. Broadway,
Joshua, TX 76058
1-866-730-9865

ENGINEERED BY:



A&A ENGINEERING
CIVIL • STRUCTURAL
6036 Renaissance Place, Toledo, OH 43623
Tel. 419-292-1983 • Fax. 419-292-0955
www.aa-engineers.com

DRAWING INFORMATION

PROJECT: 18'-0" WIDE BUILDINGS

LOCATION: STATE OF INDIANA

PROJECT NO.: 033-20-0011

SHEET TITLE:

FRAME SECTIONS & DETAILS

SHEET NO.: 3 / 11

DRAWN BY: A.W. DATE: 2/29/20

CHECKED BY: OAA DATE: 2/29/20

LEGAL INFORMATION

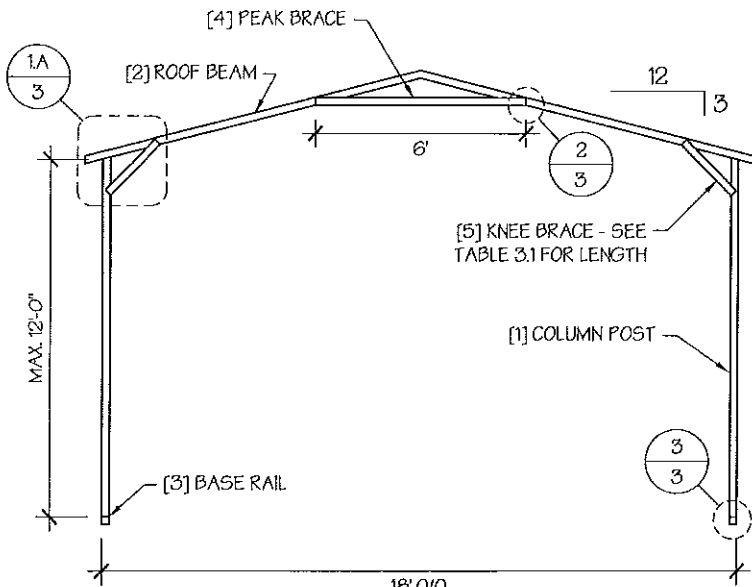
- ANY DUPLICATION OF THIS DRAWING IN WHOLE OR PART IS STRICTLY FORBIDDEN. ANYONE DOING SO WILL BE PROSECUTED UNDER THE FULL EXTENT OF THE LAW.
- DRAWINGS VALID UP TO DATE OF EXPIRATION.

SEAL:

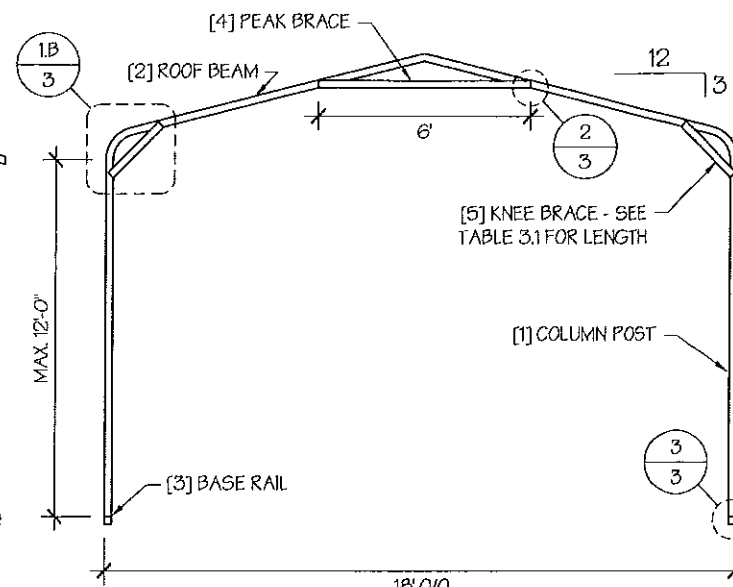


STAMP EXPIRY: 07/31/2022

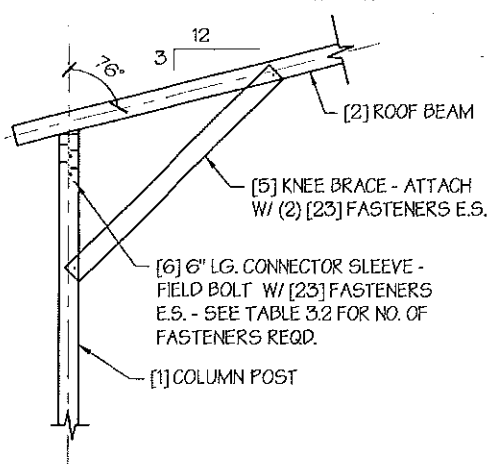
DATE SIGNED: FEB 12 2020



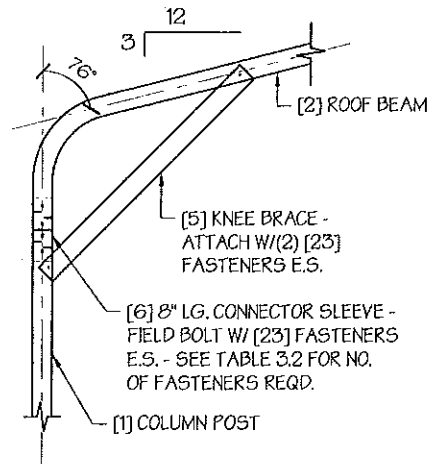
TYP. A-FRAME SECTION
SCALE: NTS



TYP. REGULAR FRAME SECTION
SCALE: NTS

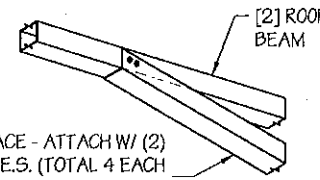


A. 'A'-FRAME



B. REGULAR FRAME

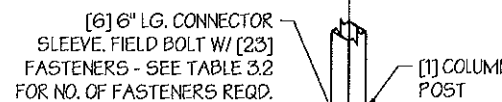
EAVE DETAIL
SCALE: NTS



[4] PEAK BRACE - ATTACH W/ (2) [23] FASTENERS E.S. (TOTAL 4 EACH END). MAINTAIN MIN. 1" EDGE DISTANCE AND SPACING

PEAK BRACE CONNECTION DETAILS

SCALE: NTS



BASE DETAIL
SCALE: NTS

TABLE 3.1: KNEE BRACE SCHEDULE

EAVE HEIGHT	KNEE BRACE LENGTH
<input type="checkbox"/> UP TO 8'	24"
<input type="checkbox"/> 9' TO 12'	36"

TABLE 3.2 FASTENER SCHEDULE

WIND SPEED (MPH)	NO. OF FASTENERS
<input type="checkbox"/> 105 TO 125	4
<input type="checkbox"/> 130 TO 155	6
<input type="checkbox"/> 160 TO 180	8

NOTE: COLUMN POST MAY BE ADJUSTED ±1" FOR LEVELING. MANUFACTURER IS NOT RESPONSIBLE FOR LEVELING OF GROUND AND/OR CONCRETE SURFACE PROVIDED BY OTHERS.

TABLE 4: FRAME SPACING CHART / SCHEDULE

GROUND SNOW / ROOF LIVE LOAD (PSF)	■ ENCLOSED BUILDINGS							■ OPEN BUILDINGS						
	WIND SPEED (MPH)							WIND SPEED (MPH)						
	□105	□115	□130	□140	□155	□165	□180	□105	□115	□130	□140	□155	□165	□180
□ 30 / 20	60	60	54/60	54	42	36	30	60	54/60	48/60	42/54	36/42	36	30
□ 40 / 27	48/60	48/60	42/60	42/54	42	36	30	48/60	48/60	42/60	42/54	36/42	36	30
□ 50 / 34	40/54	40/54	40/54	40/54	40/42	36	30	40/48	40/48	40/48	40/48	36/42	36	30
□ 60 / 41	36/42	36/42	36/42	36/42	36/42	36	30	36	36	36	36	36	36	30
□ 70 / 47	32/36	32/36	30/36	30/36	30/36	30/36	30	30	30	30	30	30	30	30
□ 80 / 54	30	30	30	30	30	30	30	24	24	24	24	24	24	24
□ 90 / 61	24	24	24	24	24	24	24	18	18	18	18	18	18	18
□ 30 / 20	60	60	54/60	54	48	42/48	42	60	54/60	48/60	42/54	36/48	36/48	36/42
□ 40 / 27	48/60	48/60	42/60	42/54	42/48	42/48	42	48/60	48/60	42/60	42/54	36/48	36/48	36/42
□ 50 / 34	40/54	40/54	40/54	40/54	40/48	40/48	40/42	40/48	40/48	40/48	40/48	36/48	36/48	36/42
□ 60 / 41	36/42	36/42	36/42	36/42	36/42	36/42	36/42	36/42	36/42	36/42	36/42	36/42	36/42	36/42
□ 70 / 47	32/36	32/36	32/36	32/36	32/36	32/36	32/36	32/36	32/36	32/36	32/36	32/36	32/36	32/36
□ 80 / 54	30	30	30	30	30	30	30	30	30	30	30	30	30	30
□ 90 / 61	24	24	24	24	24	24	24	24	24	24	24	24	24	24
□ 30 / 20	60	60	54/60	54	48	42/48	42	60	54/60	48/60	42/54	36/48	36/48	36/42
□ 40 / 27	48/60	48/60	42/60	42/54	42/48	42/48	42	48/60	48/60	42/60	42/54	36/48	36/48	36/42
□ 50 / 34	40/54	40/54	40/54	40/54	40/48	40/48	40/42	40/54	40/54	40/54	40/54	36/48	36/48	36/42
□ 60 / 41	36/42	36/42	36/42	36/42	36/42	36/42	36/42	36/42	36/42	36/42	36/42	36/42	36/42	36/42
□ 70 / 47	32/36	32/36	32/36	32/36	32/36	32/36	32/36	32/36	32/36	32/36	32/36	32/36	32/36	32/36
□ 80 / 54	30	30	30	30	30	30	30	30	30	30	30	30	30	30
□ 90 / 61	24	24	24	24	24	24	24	24	24	24	24	24	24	24

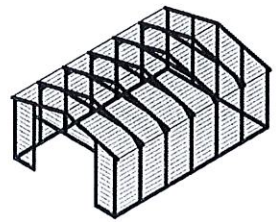
- NOTES:
1. FRAME SPACINGS ARE IN UNITS OF INCHES (IN).
 2. WHERE TWO VALUES ARE SHOWN, THE HIGHER VALUE CAN ONLY BE USED FOR VERTICAL SHEATHING.
 3. SNOW LOADS AND ROOF LIVE LOADS ARE IN POUNDS PER SQUARE FOOT (PSF). WIND SPEED IS 3 SEC. GUST IN MILES PER HOUR (MPH).
 4. FOR VALUES THAT LIE BETWEEN TWO CELLS, THE HIGHER (MORE STRINGENT) VALUE HAS TO BE USED. INTERPOLATION BETWEEN CELLS IS NOT ALLOWED.

ENCLOSURE CLASSIFICATION:

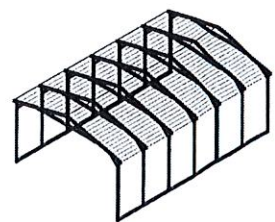
1. ENCLOSED BUILDING = ALL 4 WALLS FULLY ENCLOSED WITH DOORS/WINDOWS = USE ENCLOSED BUILDING SPACING CHART.
2. OPEN BUILDING = ALL 4 WALLS FULLY OPEN = USE OPEN BUILDING SPACING CHART.
3. 3FT PARTIALLY ENCLOSED = BOTH END-WALLS FULLY OPEN, WITH BOTH SIDE-WALLS ONLY 3FT ENCLOSED = USE OPEN BUILDING SPACING CHART.
4. PARTIALLY ENCLOSED = BOTH END-WALLS FULLY OPEN, WITH BOTH SIDE-WALLS ENCLOSED MORE THAN 3FT = START WITH OPEN BUILDING SPACING CHART AND THEN REDUCE SPACING BY 6".
5. 3 SIDED ENCLOSED = ALL WALLS ARE ENCLOSED EXCEPT FOR 1 END-WALL = START WITH ENCLOSED BUILDING SPACING + THE OPEN END FRAME MUST HAVE EITHER A GABLED END OR HAVE DOUBLED WELDED LEGS.
6. FOR ALL SHEATHING ENCLOSURES NOT LISTED ABOVE, REFER TO SHEET 5 FOR SPACING AND DESIGN REQUIREMENTS.

GENERAL NOTES:

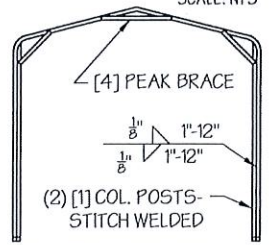
1. THE MAX. BUILDING LENGTH FOR ENCLOSED BUILDINGS IS 50'-0". THIS CAN BE INCREASED BY ADDING A DOUBLE FRAME AT THE CENTER TO BREAK THE LENGTH OF THE BUILDING.
2. BUILDINGS WITH PARTIALLY ENCLOSED END WALLS NEED TO HAVE SIDE WALL BRACING TO SUPPORT THE PARTIALLY ENCLOSED END WALL. (SEE FIGURE A ON SHEET 5).



TYP. ENCLOSED BUILDING
SCALE: NTS



TYP. OPEN BUILDING
SCALE: NTS



TYP. OPEN END WALL ON 3 SIDE ENCLOSED BUILDING
SCALE: NTS

MANUFACTURED BY:



457 N. Broadway,
Joshua, TX 76058
1-866-730-9865

ENGINEERED BY:



A&A ENGINEERING
CIVIL + STRUCTURAL
6036 Renaissance Place, Toledo, OH 43623
Tel. 419-292-1983 • Fax. 419-292-0955
www.a-a-engineers.com

DRAWING INFORMATION

PROJECT: 18'-0" WIDE BUILDINGS
LOCATION: STATE OF INDIANA
PROJECT NO.: 033-20-0011
SHEET TITLE:

SPACING SCHEDULES & ENCLOSURE NOTES

SHEET NO.: 4 / 11
DRAWN BY: A.W. DATE: 7/24/20
CHECKED BY: OAA DATE: 7/24/20

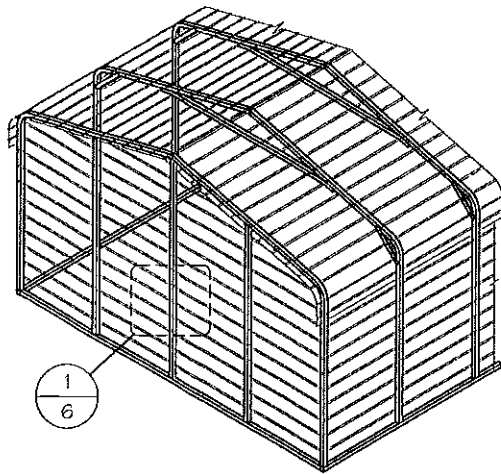
LEGAL INFORMATION

- ANY DUPLICATION OF THIS DRAWING IN WHOLE OR PART IS STRICTLY FORBIDDEN. ANYONE DOING SO WILL BE PROSECUTED UNDER THE FULL EXTENT OF THE LAW.
- DRAWINGS VALID UP TO DATE OF EXPIRATION.

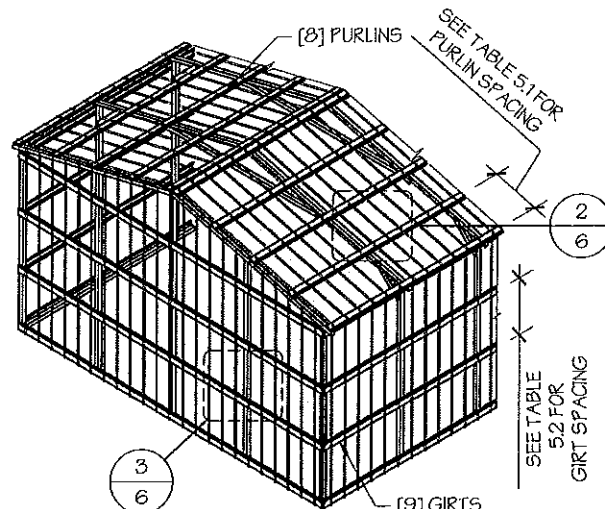
SEAL:



STAMP EXPIRY: 07/31/2022
DATE SIGNED: FEB 12 2020



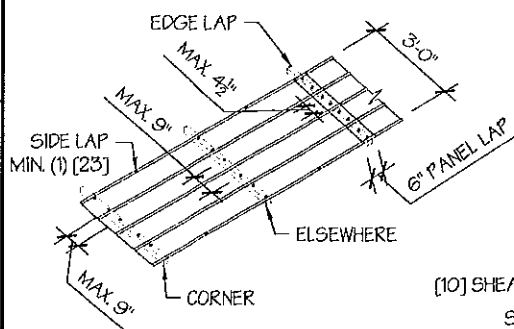
□ TYP. HORIZONTAL SHEATHING
SCALE: NTS



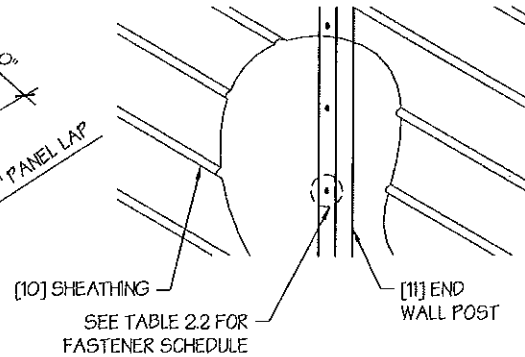
□ TYP. VERTICAL SHEATHING
SCALE: NTS

GENERAL SHEATHING NOTES:

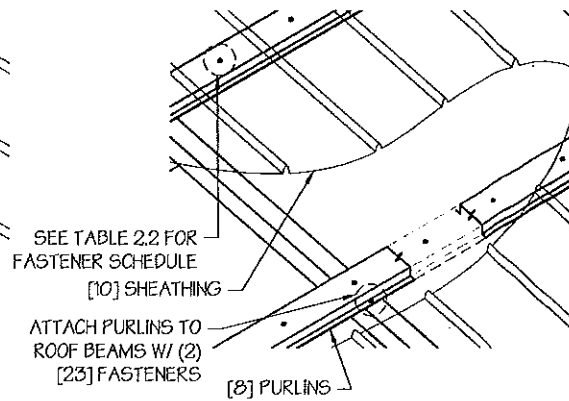
1. REGULAR STYLE BUILDINGS CAN ONLY HAVE HORIZONTAL SHEATHING ON ROOF AND WALLS.
2. A-FRAME STYLE BUILDINGS CAN HAVE ANY COMBINATION OF HORIZONTAL OR VERTICAL SHEATHING ON ROOFS AND WALLS.
3. BOTH HORIZONTAL AND VERTICALS ROOF SHEATHING CAN HAVE MAX. 6" OVERHANG.
4. USING VERTICAL SHEATHING MAY ALLOW FOR GREATER FRAME SPACING. SEE NOTE 2 UNDER TABLE 4.
5. VERTICAL SHEATHING RECOMMENDED FOR BUILDINGS 30' OR LONGER



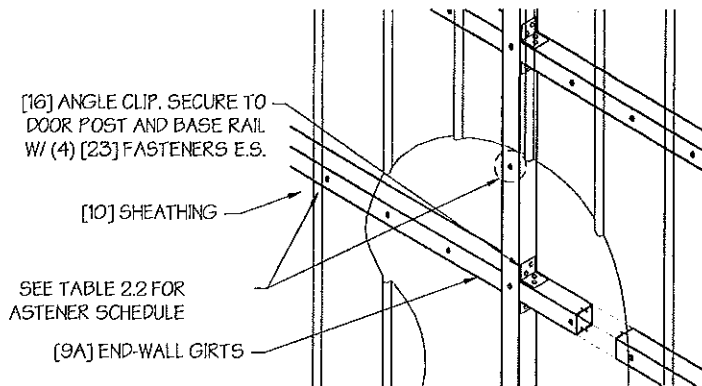
TYP. SHEATHING FASTENER SCHEDULE
SCALE: NTS



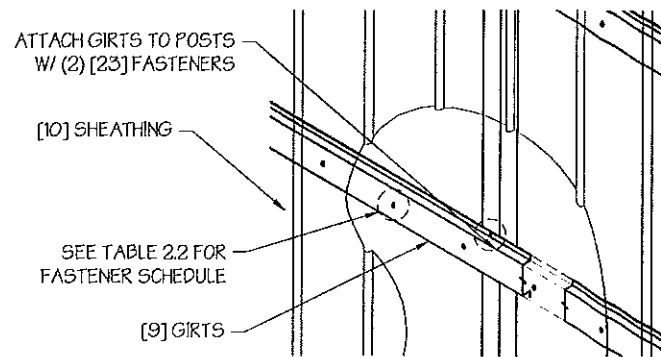
TYP. HORIZONTAL SHEATHING DETAIL 1
SCALE: NTS



ROOF VERTICAL SHEATHING DETAIL 2
SCALE: NTS



□ WALL VERTICAL SHEATHING - TUBE DETAIL 3
SCALE: NTS



□ WALL VERTICAL SHEATHING - HAT CHANNEL DETAIL 3
SCALE: NTS

MANUFACTURED BY:



457 N. Broadway,
Joshua, TX 76058
1-866-730-9865

ENGINEERED BY:



A&A ENGINEERING
CIVIL • STRUCTURAL
6036 Renaissance Place, Toledo, OH 43623
Tel. 419-292-1983 • Fax. 419-292-0855
www.a-a-engineers.com

DRAWING INFORMATION

PROJECT: 18'-0" WIDE BUILDINGS

LOCATION: STATE OF INDIANA

PROJECT NO.: 033-20-0011

SHEET TITLE:

SHEATHING OPTIONS
& DETAILS

SHEET NO.: 6 / 11

DRAWN BY: A.W. DATE: 2/29/20

CHECKED BY: OAA DATE: 2/29/20

LEGAL INFORMATION

- ANY DUPLICATION OF THIS DRAWING IN WHOLE OR PART IS STRICTLY FORBIDDEN, ANYONE DOING SO WILL BE PROSECUTED UNDER THE FULL EXTENT OF THE LAW.
- DRAWINGS VALID UP TO DATE OF EXPIRATION.

SEAL:



STAMP EXPIRY: 07/31/2022

DATE SIGNED: FEB 12 2020

MANUFACTURED BY:



457 N. Broadway,
Joshua, TX 76058
1-866-730-9865

ENGINEERED BY:



A&A ENGINEERING
CIVIL • STRUCTURAL

6036 Renaissance Place, Toledo, OH 43623
Tel. 419-292-1983 • Fax 419-292-0955
www.aa-engineers.com

DRAWING INFORMATION

PROJECT: 18'-0" WIDE BUILDINGS

LOCATION: STATE OF INDIANA

PROJECT NO.: 033-20-0011

SHEET TITLE:

END WALL FRAMING

SHEET NO.: 8-A / 11

DRAWN BY: A.W. DATE: 2/29/20

CHECKED BY: OAA DATE: 2/29/20

LEGAL INFORMATION

- ANY DUPLICATION OF THIS DRAWING IN WHOLE OR PART IS STRICTLY FORBIDDEN. ANYONE DOING SO WILL BE PROSECUTED UNDER THE FULL EXTENT OF THE LAW.
- DRAWINGS VALID UP TO DATE OF EXPIRATION.

SEAL:



STAMP EXPIRY: 07/31/2022

DATE SIGNED: FEB 12 2020

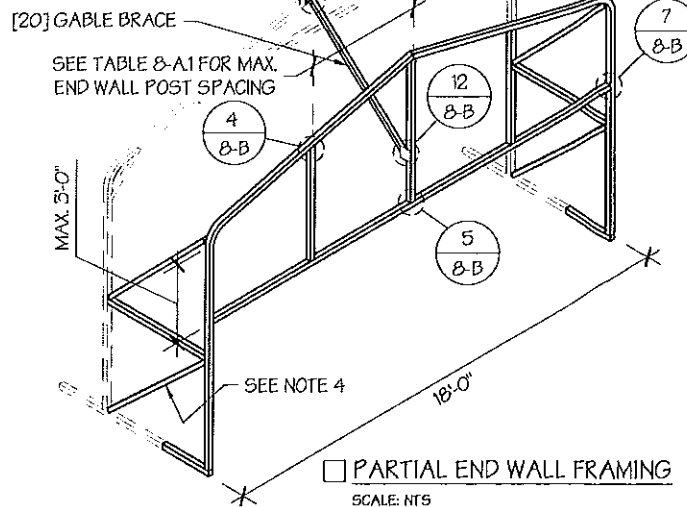
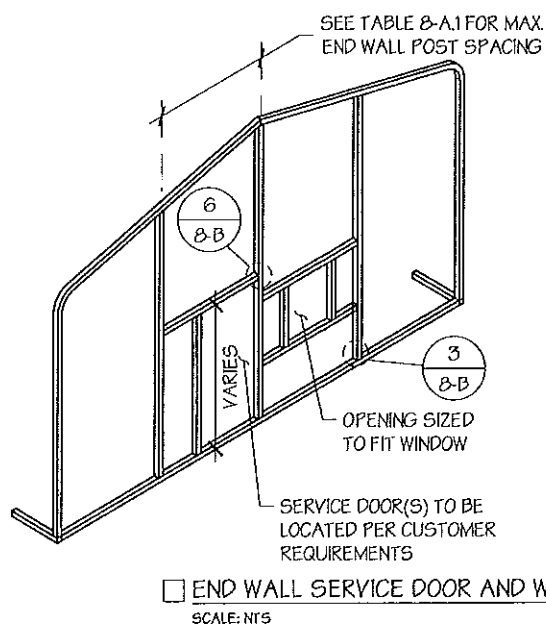
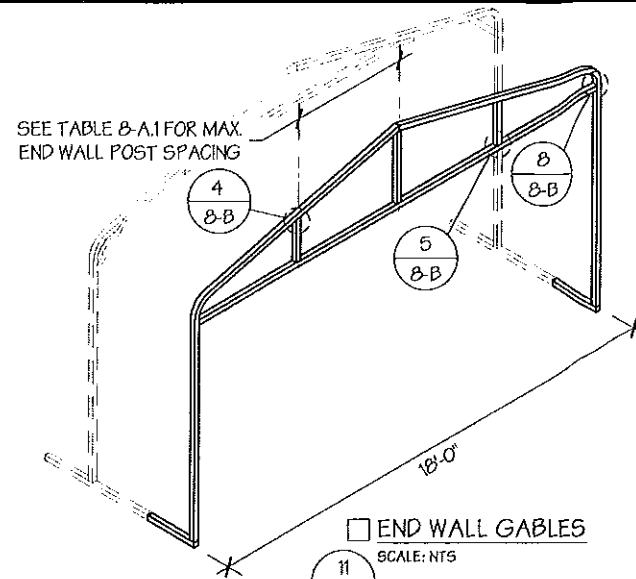
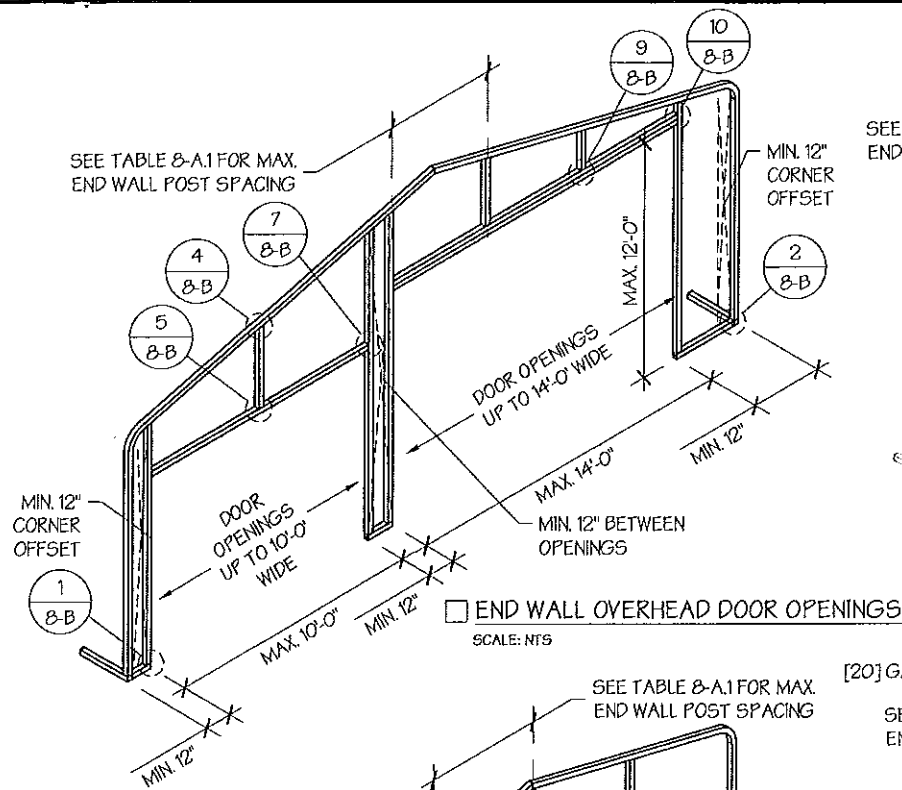
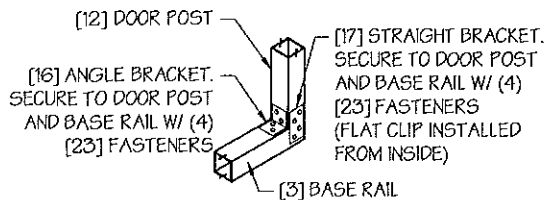


TABLE 8-A.1: END WALL POST SPACING SCHEDULE

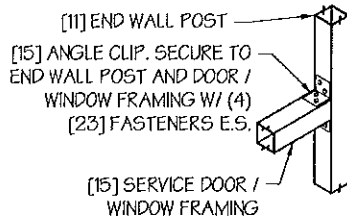
WIND SPEED (MPH)	EAVE HEIGHT		
	UP TO 7'	8' TO 9'	10' TO 12'
105	5'	5'	5'
115	5'	5'	4.5'
130	4.5'	4.5'	4'
140	4.5'	4.5'	3'
155	4'	4'	2.5'
165 - 180	3.5'	3'	2'

END WALL FRAMING NOTES:

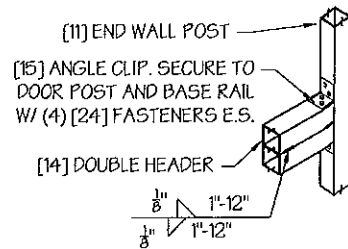
- DESIGNS AND DETAILS SHOWN HERE ARE APPLICABLE TO BOTH REGULAR AND A-FRAME STYLE BUILDINGS.
- MIN. 12" CLEARANCE MUST BE MAINTAINED BETWEEN ANY TWO OPENINGS (OVERHEAD DOOR OR SERVICE DOOR) AND FROM CORNERS.
- SERVICE DOORS AND WINDOWS CAN BE PLACED AS NEEDED.
- DIAGONAL BRACES NEED TO BE ADDED FOR PARTIAL END WALL ENCLOSURES. SEE SHEET 9 FOR DIAGONAL BRACE CONNECTION DETAILS.



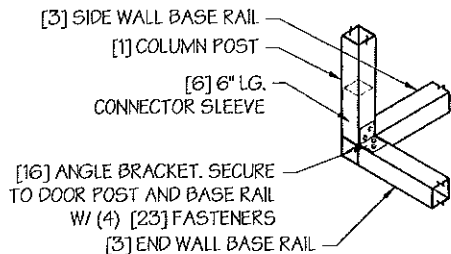
DOOR POST BASE RAIL CONN. DETAIL 1
SCALE: NTS



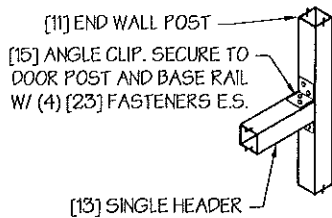
TYP. SERVICE DOOR / WINDOW FRAMING CONN. DETAIL 6
SCALE: NTS



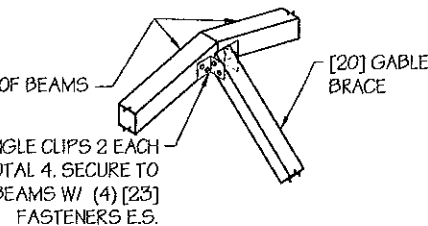
DOUBLE HEADER - END WALL POST CONN. DETAIL 10
SCALE: NTS



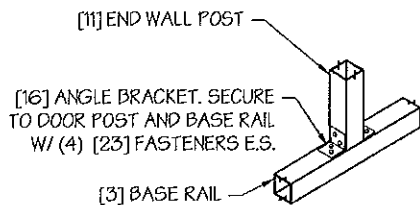
CORNER DETAIL 2
SCALE: NTS



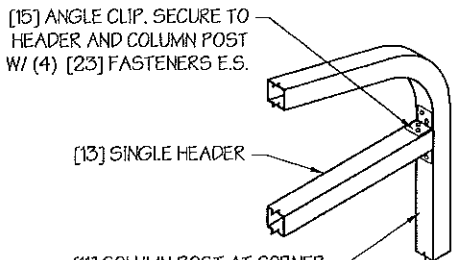
HEADER - END WALL POST CONN. DETAIL 7
SCALE: NTS



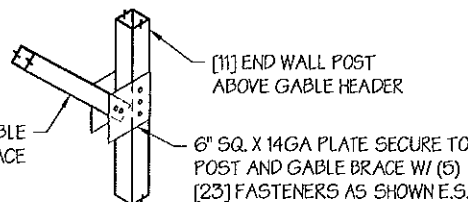
TYP. GABLE BRACE CONN. DETAIL 11
SCALE: NTS



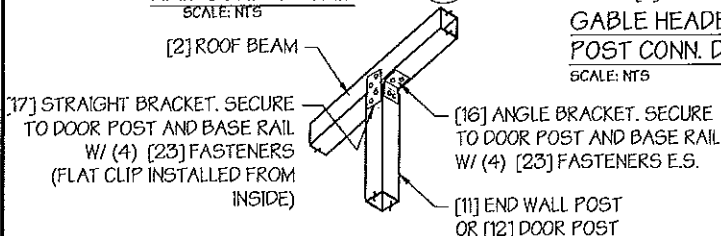
END WALL POST - BASE RAIL CONN. DETAIL 3
SCALE: NTS



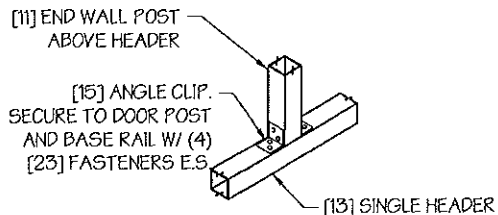
GABLE HEADER - CORNER POST CONN. DETAIL 8
SCALE: NTS



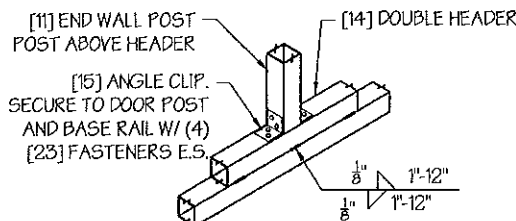
GABLE BRACE - END WALL POST CONN. DETAIL 12
SCALE: NTS



END WALL POST - ROOF BEAM CONN. DETAIL 4
SCALE: NTS



END WALL POST ABOVE HEADER CONN. DETAIL 5
SCALE: NTS



END WALL POST ABOVE DOUBLE HEADER CONN. DETAIL 9
SCALE: NTS

MANUFACTURED BY:



457 N. Broadway,
Joshua, TX 76058
1-866-730-9865

ENGINEERED BY:



A&A ENGINEERING
CIVIL • STRUCTURAL

6036 Renaissance Place, Toledo, OH 43628
Tel. 419-292-1983 • Fax. 419-292-0955
www.a-a-engineers.com

DRAWING INFORMATION

PROJECT: 18'-0" WIDE BUILDINGS

LOCATION: STATE OF INDIANA

PROJECT NO.: 033-20-0011

SHEET TITLE:

END WALL FRAMING DETAILS

SHEET NO.: 8-B / 11

DRAWN BY: A.W. DATE: 2/29/20

CHECKED BY: OAA DATE: 2/29/20

LEGAL INFORMATION

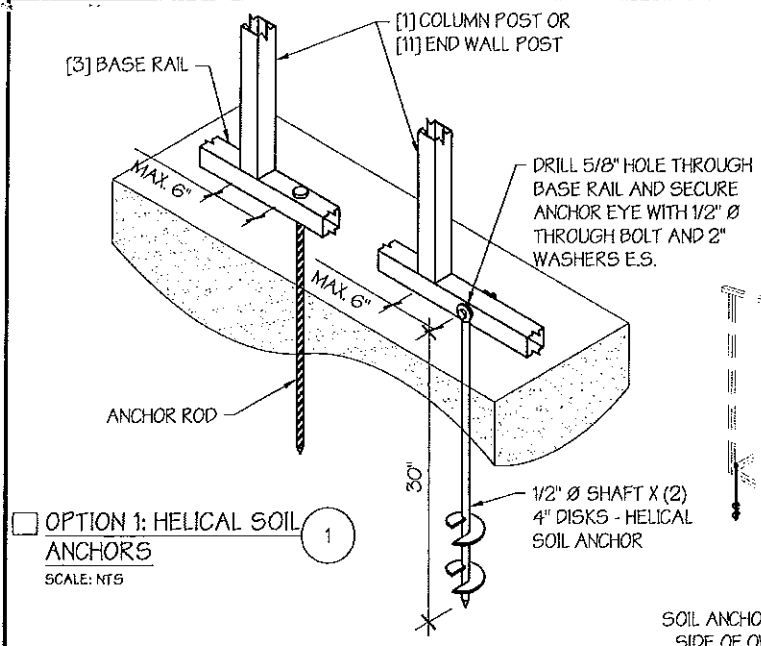
- ANY DUPLICATION OF THIS DRAWING IN WHOLE OR PART IS STRICTLY FORBIDDEN. ANYONE DOING SO WILL BE PROSECUTED UNDER THE FULL EXTENT OF THE LAW.
- DRAWINGS VALID UP TO DATE OF EXPIRATION.

SEAL:

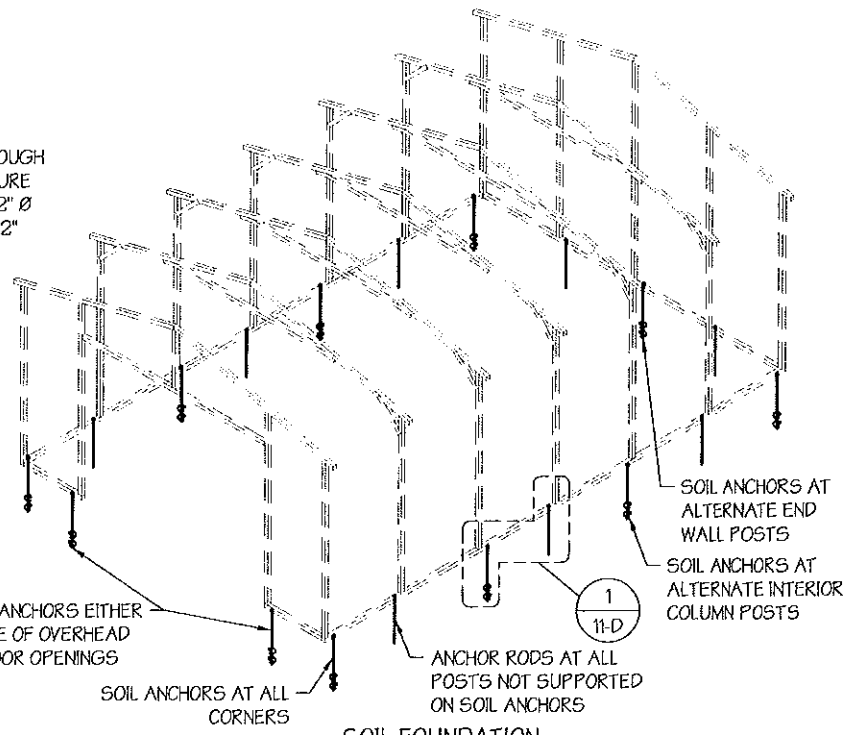


STAMP EXPIRY: 07/31/2022

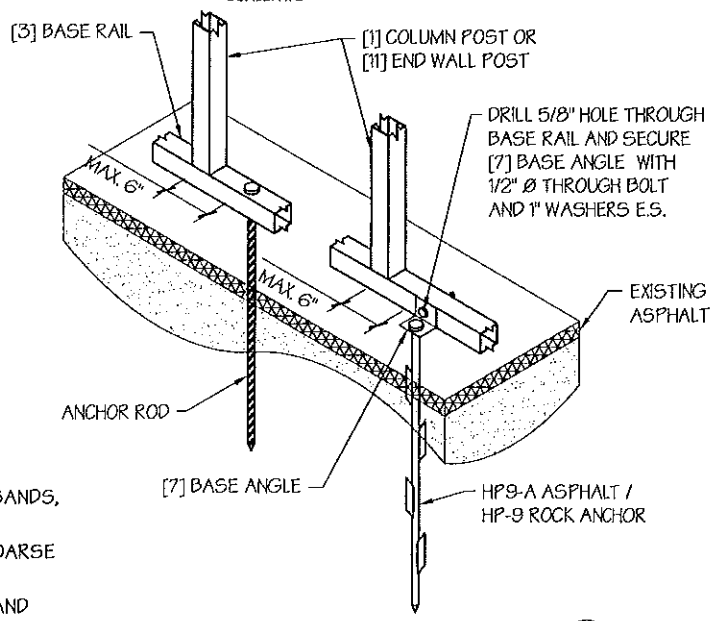
DATE SIGNED: FEB 12 2020



OPTION 1: HELICAL SOIL ANCHORS
SCALE: NTS



OPTION 2: ROCK / ASPHALT ANCHORS
SCALE: NTS



OPTION 2: ROCK / ASPHALT ANCHORS
SCALE: NTS

SOIL FOUNDATION NOTES:

- DESIGNS SHOWN ON THIS SHEET ARE FOR SOIL ANCHOR FOUNDATION.
- SOIL ANCHORS (HELICAL OR ROCK/ASPALT) SHALL BE LOCATED AT ALL 4 CORNERS, ON EACH SIDE OF OVERHEAD DOOR OPENINGS, ON POSTS WITH DIAGONAL BRACING IF REQUIRED, AND ON ALTERNATE INTERIOR COLUMN POSTS AND END WALLS POSTS.
- HELICAL ANCHORS ARE TO BE USED ONLY IF THE DRIVING TORQUE INTO THE GROUND IS 150 FT-LBS OR GREATER. MANUFACTURER IS NOT RESPONSIBLE FOR SOIL QUALITY AT SITE.
- HELICAL ANCHORS CAN ONLY BE USED FOR CLASS 2, 3 & 4 SOILS (SEE SOIL CLASSIFICATIONS THIS PAGE).
- ALL POSTS WITH NO ANCHORS ADJACENT SHALL BE ANCHORED TO THE GROUND WITH A 1/2" X 30" LG. ROD. RODS WILL HAVE A PRE-FORMED HEAD AT THE TOP AND ONE COAT OF RUST PROOF MATERIAL.
- ASSUMED SOIL BEARING CAPACITY IS TO BE A MIN. OF 1500 PSF.

SOIL CLASSIFICATIONS:

SOIL CLASS	DESCRIPTION
2	SANDY GRAVEL AND GRAVEL, VERY THIN DENSE AND/OR CEMENTED SANDS, COARSE GRAVEL/COBBLES, PRELOADED SILTS, CLAYS AND CORAL.
3	SAND, SILTY SAND, CLAYEY SAND, SILTY GRAVEL, MEDIUM DENSE COARSE SANDS, SANDY GRAVEL, VERY STIFF SILT AND SANDY CLAYS.
4	LOOSE TO MEDIUM DENSE SANDS, FIRM TO STIFF CLAYS AND SILTS AND ALLUVIAL FILLS.

*FROM HUD "MODEL MANUFACTURED HOME INSTALLATION STANDARDS"

MANUFACTURED BY:



457 N. Broadway,
Joshua, TX 76058
1-866-730-9865

ENGINEERED BY:



A&A ENGINEERING
CIVIL • STRUCTURAL
6036 Renaissance Place, Toledo, OH 43623
Tel. 419-292-1983 • Fax. 419-292-0955
www.aa-engineers.com

DRAWING INFORMATION

PROJECT: 18'-0" WIDE BUILDINGS
LOCATION: STATE OF INDIANA
PROJECT NO.: 033-20-0011
SHEET TITLE: FOUNDATION OPTION 4:
SOIL ANCHORS

SHEET NO.: 11-D / 11
DRAWN BY: A.W. DATE: 2/29/20
CHECKED BY: OAA DATE: 2/29/20

LEGAL INFORMATION

- ANY DUPLICATION OF THIS DRAWING IN WHOLE OR PART IS STRICTLY FORBIDDEN. ANYONE DOING SO WILL BE PROSECUTED UNDER THE FULL EXTENT OF THE LAW.
- DRAWINGS VALID UP TO DATE OF EXPIRATION.

SEAL:



STAMP EXPIRY: 07/31/2022
DATE SIGNED: FEB 12 2020



my intent to build canopy is
for parking vehicle in it,

and it is going to be
A 18x21 regular frame roof
Three sides will be covered
and entire color of it cream
color.

Chris Williams